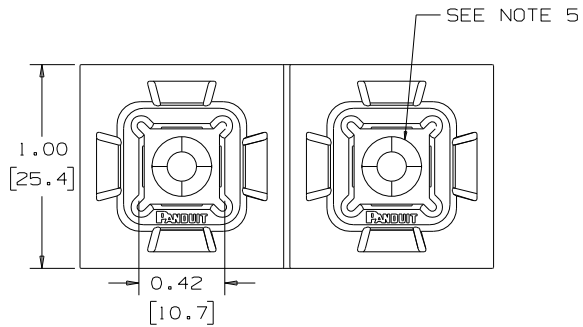
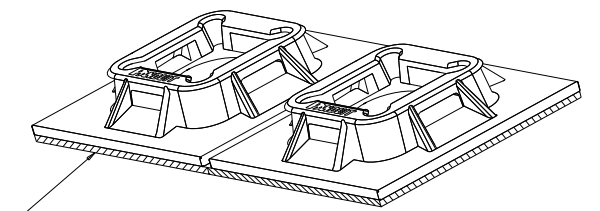


THIS COPY IS PROVIDED ON A RESTRICTED BASIS AND IS NOT TO BE USED IN ANY WAY DETRIMENTAL TO THE INTERESTS OF PANDUIT CORP.

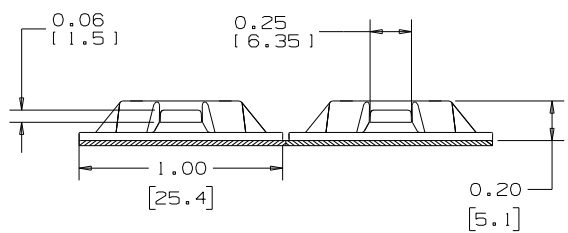


PANDUIT PART NUMBER*	WEIGHT lbs/100 pcs (g)/100 pcs	USE WITH ANY OF THESE CABLE TIE CROSS-SECTIONS
SGABM25-A- ABM25	0.26 (119)	M, I, S SG100M, SG150I, SG200S, SG250S, SG300S, SG370S



ADHESIVE BACKING: RUBBER BASED ADHESIVE PRESSURE SENSITIVE FOAM TAPE 0.04 [1.0] THICK WITH A PROTECTIVE LINER. MOUNT IS DESIGNED TO SUPPORT 0.50 lbs (227g) MAX. WEIGHT ON A CLEAN DRY SMOOTH SURFACE.

NO WARRANTY, EXPRESSED OR IMPLIED, IS MADE BY PANDUIT WITH RESPECT TO ADHESIVE BOND PERFORMANCE. AMONG OTHER THINGS, THE CONDITIONS UNDER WHICH THESE MOUNTS MAY BE APPLIED AND/OR THE SURFACE TO WHICH THEY MAY BE APPLIED ARE BEYOND PANDUIT'S CONTROL.



- NOTES
- SEE CURRENT PRICE SHEET FOR PART NUMBER SUFFIX DESIGNATION FOR PACKAGE SIZE AND COLOR.
 - THE '-A' SUFFIX REPRESENTS RUBBER ADHESIVE.
 - SUPPLIED IN STRIPS OF TWO.
 - MOUNT HAS A MAXIMUM CONTINUOUS OPERATING TEMPERATURE OF 120°F (49°C).
 - HOLE FOR STANDARD #6 FLAT HEAD SCREW.

DIMENSIONS IN BRACKETS ARE METRIC [mm]
 CAD FILENAME/LAYERS GB0239LS_DC_SGABM25-A_01

SGABM25-A- & ABM25 FOUR-WAY MOUNT	
<small>UNLESS OTHERWISE SPECIFIED, DIMENSIONAL TOLERANCES ARE: (.X) ±0.05 [1.3] (.XXX) ±0.010 [0.25] (.XX) ±0.02 [0.5] ANGLES ±5°</small>	
<small>DRAWN BY TMSA</small>	<small>MAT'L:</small> NYLON 6/6
<small>DATE</small> 8/24/05	<small>SCALE</small> NONE
<small>CHK'D</small>	<small>DRAWING NO.</small> GB0239LS
	<small>DWG SIZE</small> A

REV	DATE	BY	CHK	DESCRIPTION	ECN	R	CUST	SUP
1	6/12/06	JAD		UPDATE CABLE TIE CALLOUTS	GB0239LS	1		